

GRZ 22 G Sprue / Pliers
GRZ 20-22 G Sprue / Pliers



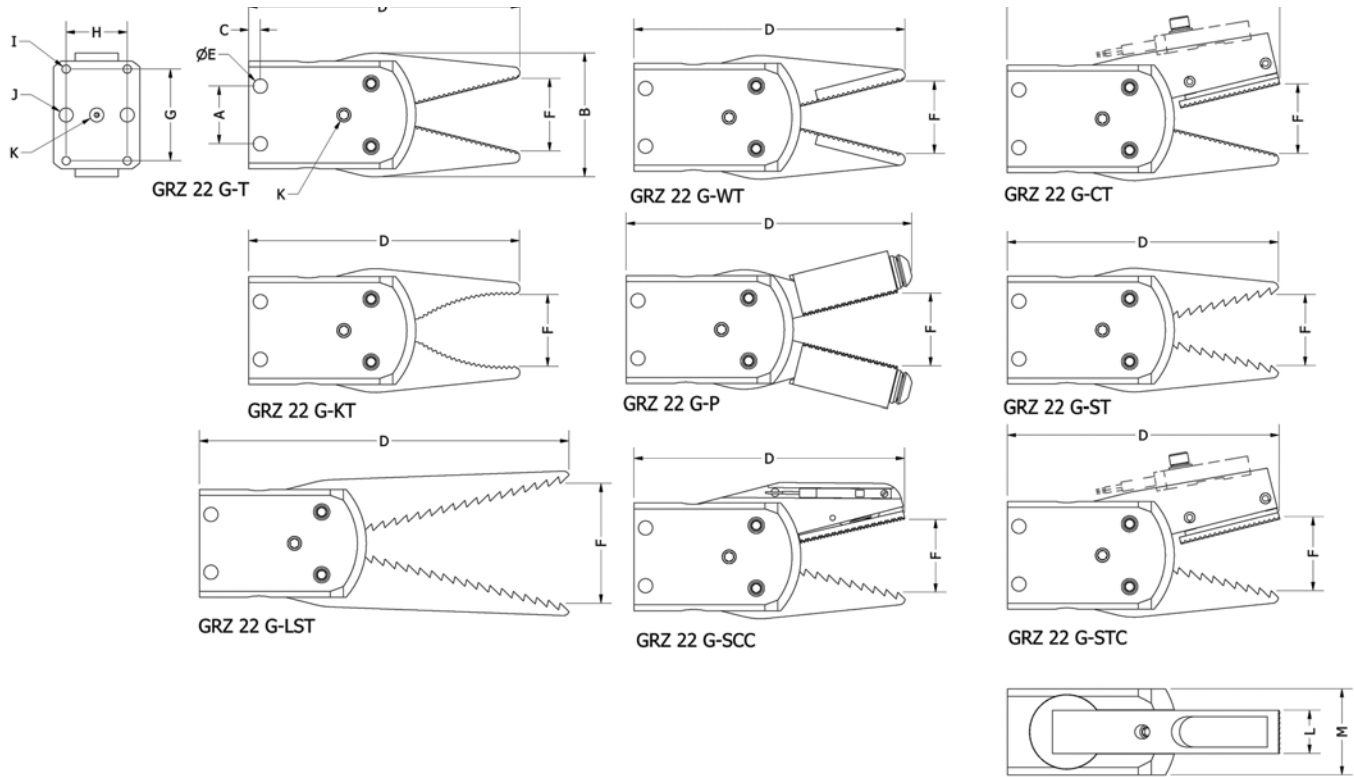
Features:

- + Maximum clamping force available in the industry for comparably sized Grippers
- + Anodized Finish
- + Multiple jaw designs for flexibility
- + Sensing jaws available (CT, SCC and STC suffix)
- + Compact yet strong grip force
- + 2 body designs for added mounting options
- + Maximum air pressure 87 psi (6 bar)
- + Requires clean dry air



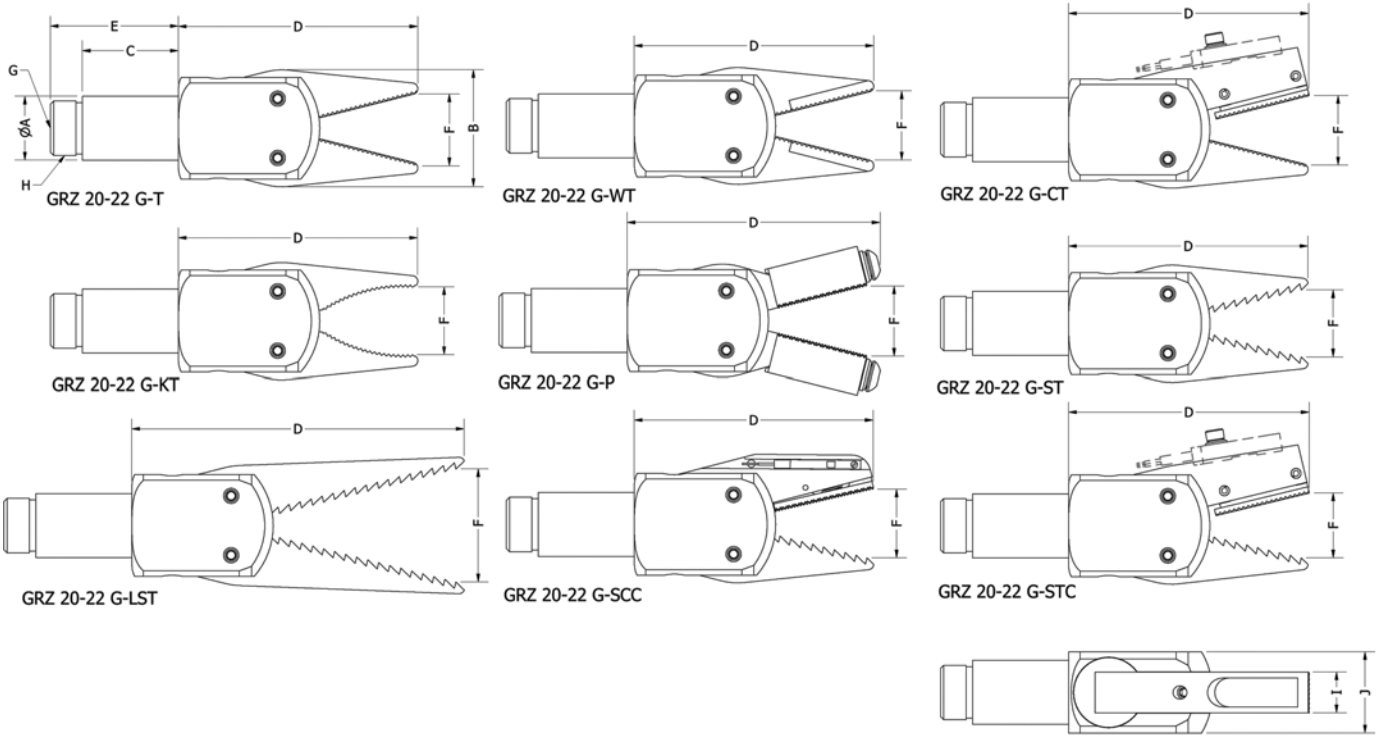
GRZ 22 G Sprue / Pliers
GRZ 20-22 G Sprue / Pliers

Diagrams:



	A	B	C	D	E	F	G	H	I	J	K	L	M	Force (N)	Sensor (Optional)
GRZ 22 G-T	17	36.5	3.4	80	4.2	21	27	18	M3x6	M5x6	M5	13	25	145	-
GRZ 22 G-WT	17	36.5	3.4	80	4.2	21	27	18	Mx6	M5x6	M5	25	25	145	-
GRZ 22 G-CT	17	48.5	3.4	80	4.2	20	27	18	M3x6	M5x6	M5	13	25	145	SP 1.5 / SN 1.5
GRZ 22 G-KT	17	36.5	3.4	80	4.2	21	27	18	M3x6	M5x6	M5	13	25	145	-
GRZ 22 G-P	17	46	3.4	84	4.2	21	27	18	M3x6	M5x6	M5	13	25	145	-
GRZ 22 G-ST	17	36.5	3.4	80	4.2	21	27	18	M3x6	M5x6	M5	13	25	145	-
GRZ 22 G-LST	17	42.5	3.4	109	4.2	35	27	18	M3x6	M5x6	M5	13	25	100	-
GRZ 22 G-SCC	17	41	3.4	80	4.2	21	27	18	M3x6	M5x6	M5	13	25	145	RRK-93 / RRK-M9P
GRZ 22 G-STC	17	52	3.4	80	4.2	21	27	18	M3x6	M5x6	M5	13	25	145	SP 1.5 / SN 1.5

GRZ 22 G Sprue / Pliers
GRZ 20-22 G Sprue / Pliers



	A	B	C	D	E	F	G	H	I	J	Force (N)	Sensor (Optional)
GRZ 20-22 G-T	20	36.5	30	75	40	21	G1/8	M17x1	13	25	145	-
GRZ 20-22 G-WT	20	36.5	30	75	40	21	G1/8	M17x1	25	25	145	-
GRZ 20-22 G-CT	20	48.5	30	75	40	20	G1/8	M17x1	13	25	145	SP 1.5 / SN 1.5
GRZ 20-22 G-KT	20	36.5	30	75	40	21	G1/8	M17x1	13	25	145	-
GRZ 20-22 G-P	20	46	30	79	40	21	G1/8	M17x1	13	25	145	-
GRZ 20-22 G-ST	20	36.5	30	75	40	21	G1/8	M17x1	13	25	145	-
GRZ 20-22 G-LST	20	42.5	30	104	40	35	G1/8	M17x1	13	25	100	-
GRZ 20-22 G-SCC	20	41	30	75	40	21	G1/8	M17x1	13	25	145	RRK-93 / RRK-M9P
GRZ 20-22 G-STC	20	52	30	75	40	21	G1/8	M17x1	13	25	145	SP 1.5 / SN 1.5